

To blend two or three gases in homogeneous infinitely variable concentrations, directly at the end use point, this Model G gas proportioner is unsurpassed in convenience and economy.

Gas proportioners pay for themselves since they eliminate the need for expensive custom blended gas mixtures.

They lend flexibility and economy to the utilization of component gas cylinders and "piped-in" supply lines.

Another advantage in laboratory investigations is the freedom to reproducibility increase or decrease concentrations during the course of an experiment.

The flow rates are not affected by downstream pressure variations as long as back pressures do not approach or exceed the input pressure. Input pressures of up to 200 psig (13.8 bars) can be used; however, customers' very often find 50 psig (3.45 bars) a convenient setting to work with.

design features

- ✓ Blending of two or three gases with gas proportioners obviates the need for:
 - ✓ ORDERING FIXED GAS MIXTURES.
 - ✓ CONTAMINATION FROM REUSABLE GAS CYLINDERS.
 - ✓ POTENTIALLY INACCURATE MIXTURES BY GAS SUPPLIERS.
- ✓ Rib-guided or fluted metering tubes facilitate stable, accurate readings.
- ✓ OPTIGRAD™ scales minimize parallax and eye fatigue.
- ✓ Interchangeability of flow tubes and floats.
- ✓ Simple means of panel mounting.



Gas Proportioner with CV™ valve for blending two gases

G

GAS PROPORTIONERS BACK PRESSURE COMPENSATED

BUILT-IN VALVES

Meters are available with built-in needle valves (CV™), high precision metering valves (MFV™) with “non-rising stems”, or with no valves.

The higher cost of MFV™ valves is justified whenever high sensitivity control and resolution are desirable particularly in conjunction with metering tubes of very low flow rates.

design features

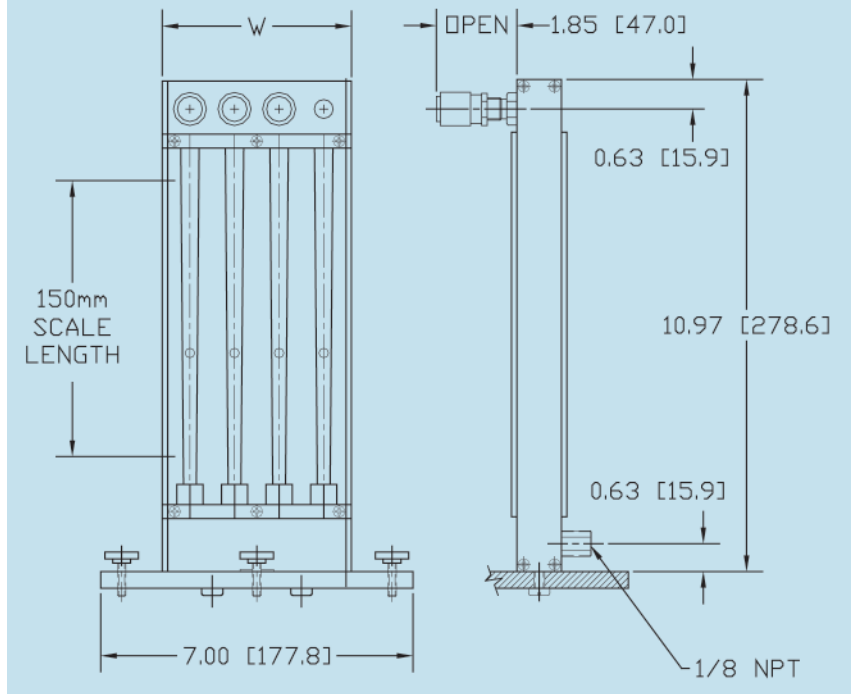
- ✓ Precision fabricated from heavy walled, shock resistant borosilicate glass.
- ✓ Bores are uniformly tapered or formed with internal “rib-guides” or flutes.
- ✓ Floats are retained by TFE plugs.
- ✓ Self cleaning.
- ✓ Low differential pressures that stay independent of flow rate changes.

DIMENSIONS FOR G STYLE METERS

WIDTH (W)		
SCALE LENGTH	2 CHANNEL	3 CHANNEL
150 mm	3.24	4.23

Bench mounting acrylic tripod bases are optional.

DIMENSIONS



SPECIFICATIONS STANDARD COMPONENT

FLOW TUBE ACCURACY

±2% FS mm scales except 042 and 032 flow tubes ±5%, from 10 to 100% of scale. Conforming to ISA RP. 16-1.2.3. Specification 2-S-10.

COMPONENT FLOW TUBE REPEATABILITY

±0.25%. Typical calibration curves for air at 50 psig /3.5 bars using glass floats are available. Consult the company on the availability of calibration data for non-hazardous gases and special individual calibrations.

MAX OPERATING PRESSURE 200 psig/13.8 bars.

MAX OPERATING TEMPERATURE 250 °F/ 121 °C.

**MATERIALS OF CONSTRUCTION

FLOW TUBES	Heavy walled borosilicate glass.
CHOICE OF MOUNTING FITTINGS IN CONTACT WITH GASES	a) Aluminum, black anodized. b) 316 stainless steel.
SIDE PANELS	Aluminum, black anodized.
FRONT SHIELD	Clear polycarbonate.
BACK PLATE	1/8" thick white acrylics.
O-RINGS AND PACKING	Buna-N® O-rings in aluminum model. Viton-A® O-rings in stainless steel meters.
OPTIONAL	Viton®, PTFE/Kalrez®/EPR.
CONNECTIONS	1/8" NPT female inlet and outlet connections.
OPTIONAL	Hose and compression fittings are available.

**The selection of materials of construction, is the responsibility of the customer. The company accepts no liability.

Ordering information see page 38.
For flow capacities see table 10 page 64.

ORDERING INFORMATION G STYLE METER



CODE	
G	G STYLE METERS

CODE	TUBE QUANTITIES
2	TWO CHANNEL METER (TWO TUBES AND ONE MIXING TUBE)
3	THREE CHANNEL METER (THREE TUBES AND ONE MIXING TUBE)

CODE	SIZE
1	150 mm

CODE	MATERIAL
A	ALUMINUM
S	STAINLESS

CODE	VALVE
5	MFV (HIGH PRECISION) INLET
6	CV OUTLET (STANDARD CARTRIDGE)

CODE	SEALS
V	VITON® STD ON STAINLESS METERS
B	BUNA® STD ON BRASS AND ALUMINUM
E	EPR
T	PTFE

CODE	FITTINGS
A	1/8" FNPT
B	1/4" FNPT
C	1/8" HOSE NIPPLE
D	1/4" HOSE NIPPLE
E	1/8" COMPRESSION
F	1/4" COMPRESSION
H	VCR

CODE	MANIFOLD
0	NONE

G 2 1 A 6 — B A 0 — *TUBE

EXAMPLE: G21A6-BA0

G-Style Meters, Two Channels, 150mm, Aluminum, CV Outlet, Buna Seals, 1/8" FNPT fittings, No Manifold.

Optional Accessories

TPG-Tripod for 2 channel gas proportioner.
TPH-Tripod for 3 channel gas proportioner.

*Tube selection:

Millimeter tubes: Table 10.