

F

IN LINE PTFE FLOW METER

Made entirely of PTFE, PFA, and PCTFE, the Model F flow meter is excellent for high-purity applications or use with corrosive liquids.

Units are available with a standard valve to monitor and control flow or without a valve to just monitor flow.

Flow meters are individually tested on a Mass Spectrometer Leak Detector and certified to a leak integrity rating of 1×10^{-7} sccs Helium or better.

design features

- ✓ Chemically inert wetted components.
- ✓ Removable protective shield.
- ✓ Individually leak tested.

SPECIFICATIONS

SCALES	Direct reading scales for liquids with 1.0 specific gravity.
ACCURACY	±5% of full scale.
MAXIMUM TEMPERATURE	250 °F (121 °C).
MAXIMUM PRESSURE	100 psig (6.7 bars).
LEAK INTEGRITY	Individually, leak tested and certified to a rating of 1×10^{-7} sccs of Helium.

**MATERIALS OF CONSTRUCTION

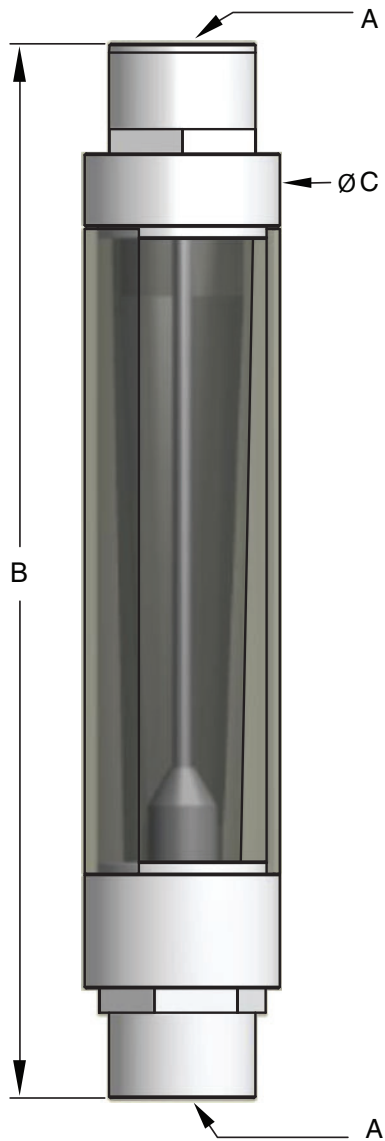
TUBE SHIELDS	Polycarbonate.
FLOW TUBES	PFA.
FLOATS	PTFE.
WETTED PARTS	PTFE end fittings. PCTFE guide rods.

***The selection of materials of construction, is the responsibility of the customer. The company accepts no liability.*

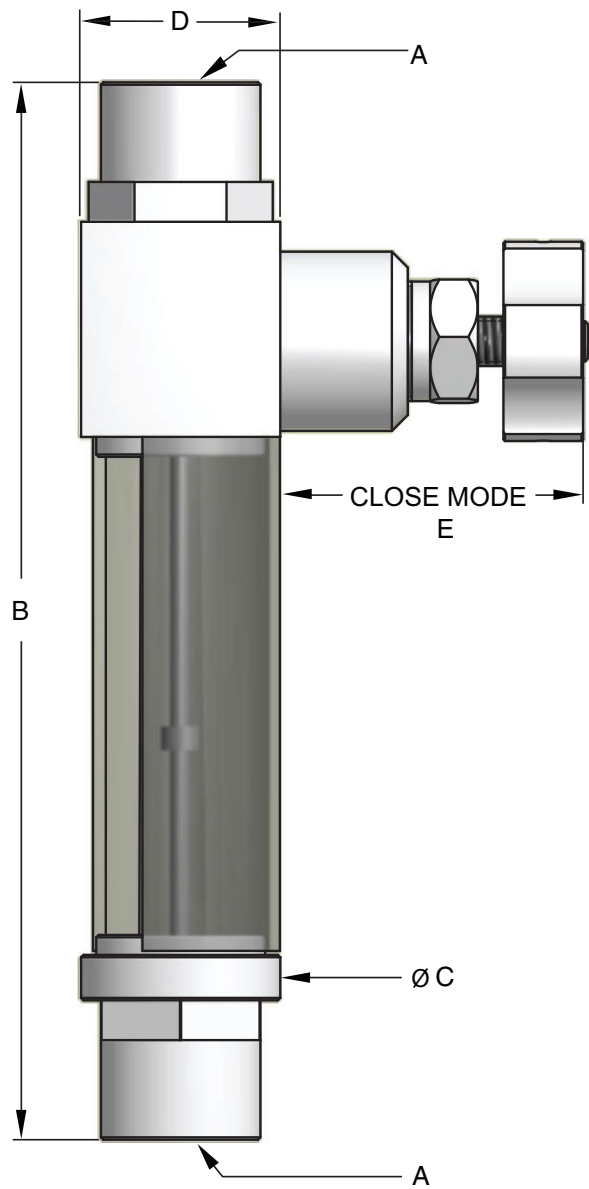


F STYLE IN LINE PTFE FLOW METER DIMENSIONS NO VALVE OPTION			
	A	B	C
F3C	1/4 FNPT	5.52" (140.2 mm)	1.25" (31.8 mm)
F3D	3/8 FNPT	5.52" (140.2 mm)	1.25" (31.8 mm)
F3E	1/2 FNPT	10.81" (274.6 mm)	2.00" (50.8 mm)
F3F	3/4 FNPT	10.81" (274.6 mm)	2.00" (50.8 mm)

F STYLE IN LINE PTFE FLOW METER DIMENSIONS VALVE OPTION					
	A	B	C	D	E
F6C	1/4 FNPT	5.52" (140.2 mm)	1.25" (31.8 mm)	1.25" (31.8 mm)	1.88" (47.8 mm)
F6D	3/8 FNPT	5.52" (140.2 mm)	1.25" (31.8 mm)	1.25" (31.8 mm)	1.88" (47.8 mm)
F6E	1/2 FNPT	10.81" (274.6 mm)	2.00" (50.8 mm)	2.00" (50.8 mm)	1.88" (47.8 mm)
F6F	3/4 FNPT	10.81" (274.6 mm)	2.00" (50.8 mm)	2.00" (50.8 mm)	1.88" (47.8 mm)



**In Line PTFE Flow Meter
No Valve Option**



**In Line PTFE Flow Meter
Valve Option**