

Unique ACRX acrylic meters are being offered with any one of the interchangeable direct reading scales for Water, Argon, Oxygen, Carbon Dioxide, Nitrogen and Helium.

Scales are mounted at the front of the flow body and are positioned and secured by a clear front shield held in place by two screws.

Dual scales display flow rates in both metric and English units. Optional scales can be developed for diverse flow conditions facilitating OEM applications.

The yellow colored backing enhances the readability of scales and helps minimize eye fatigue.

ACRX Flow Meters are configured for “in-line” 3/4" female NPT connections.

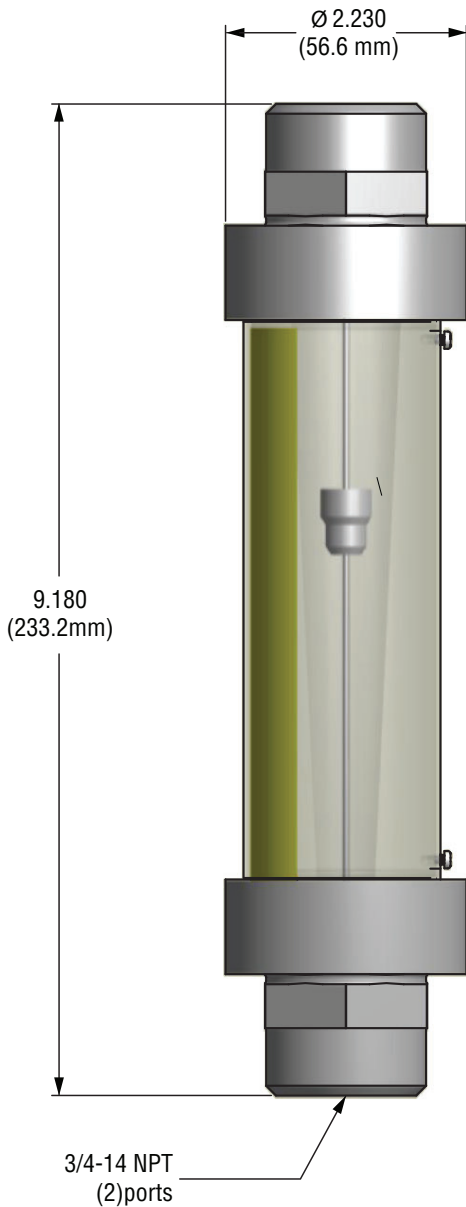
Optional needle valve is available. See next page.

A vertical acrylic flow meter with a white top and bottom. The central body is yellow and contains a clear scale. The scale is labeled 'WATER' and 'Read Flow at Top'. It has two scales: 'GAL/min' on the left and 'LPM' on the right. The 'GAL/min' scale ranges from 1 to 13, and the 'LPM' scale ranges from 5 to 50. Below the scales, there is a 'CAUTION' warning: 'Install and operate according to proper instructions. Operating over max. conditions may cause leakage and personal injury.' and 'MAX PRESSURE 100PSI 6.89 Bar' and 'MAX TEMP 150°F 65°C'. The meter is mounted on a white base with a female NPT connection. The word 'ACRX' is printed in blue at the bottom of the image.

BULLETIN EM202003 ACR

WWW.AALBORG.COM - E-MAIL ✉ : INFO@AALBORG.COM - PHONE ☎ 845.770.3000 - TOLL FREE IN U.S.A. AND CANADA 1.800.866.3837 - ORANGEBURG N.Y. U.S.A.

10



ACRX SPECIFICATIONS

ACCURACY:	$\pm 5\%$ of full scale reading.
MAXIMUM TEMPERATURE:	130 °F/ 54 °C Maximum.
MAXIMUM PRESSURE:	100 psi/6.89 Bar Maximum.
FLOAT AND GUIDE:	316 stainless steel.
CONNECTIONS:	Polypropylene.
O-RINGS:	Viton.
BODY:	Optical clear cast acrylic.

FLOW CAPACITIES

MODEL NO.	FLOW MEDIUM	MAXIMIM FLOW	
ACRXB0V01	WATER	55 L/min	14.5 GPM
ACRXB0V02	AIR	2100 L/min	72.5 SCFM
ACRXB0V03	ARGON	1800 L/min	65 SCFM
ACRXB0V04	OXYGEN	2000 L/min	70 SCFM
ACRXB0V05	CARBON DIOXIDE	1800 L/min	62.5 SCFM
ACRXB0V06	NITROGEN	2200 L/min	77.5 SCFM
ACRXB0V07	HELIUM	5000 L/min	170 SCFM

ACRXV meters are being offered with any one of the interchangeable direct reading scales for Water, Argon, Oxygen, Carbon Dioxide, Nitrogen and Helium.

Scales are mounted at the front of the flow body and are positioned and secured by a clear front shield held in place by two screws. Low hysteresis, multi-turn needle valve is included.

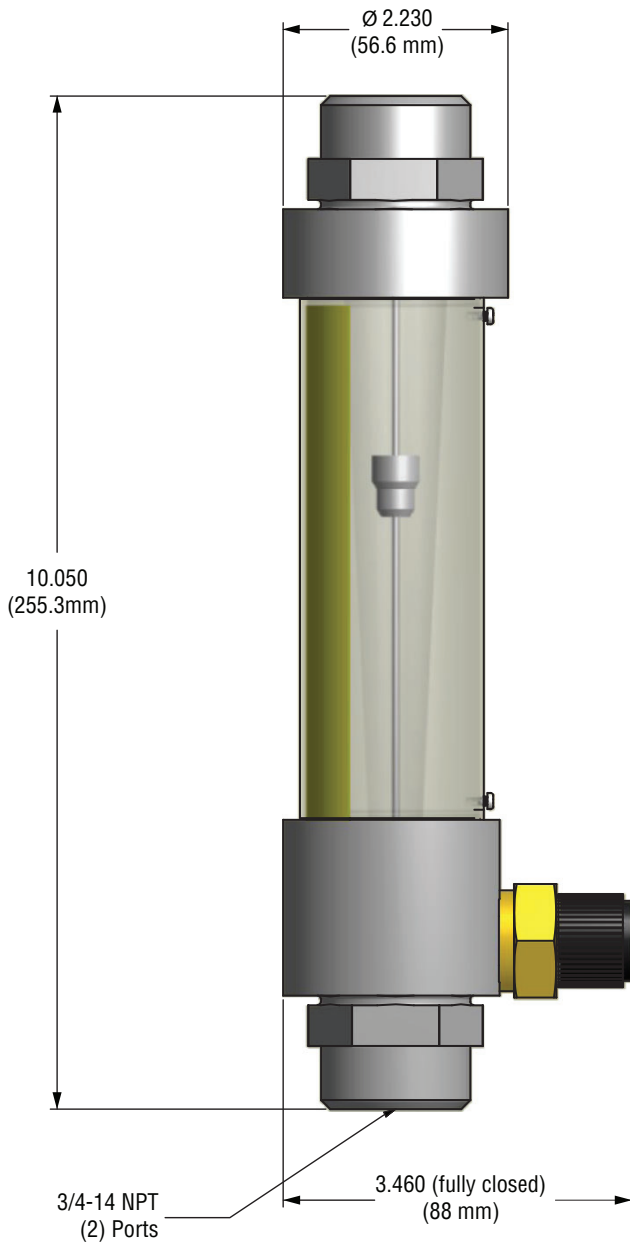
Dual scales display flow rates in both metric and English units. Optional scales can be developed for diverse flow conditions facilitating OEM applications.

The yellow colored backing enhances the readability of scales and helps minimize eye fatigue.

ACRXV Flow Meters are configured for "in-line" 3/4" female NPT connections.



ACRXV Valve Option



ACRX SPECIFICATIONS

ACCURACY:	±5% of full scale reading.
MAXIMUM TEMPERATURE:	130 °F/ 54 °C Maximum.
MAXIMUM PRESSURE:	100 psi/6.89 Bar Maximum.
FLOAT AND GUIDE:	316 stainless steel.
CONNECTIONS:	Polypropylene.
O-RINGS:	Viton.
BODY:	Optical clear cast acrylic.
VALVE PARTS:	Brass.

FLOW CAPACITIES

MODEL NO.	FLOW MEDIUM	MAXIMIM FLOW	
ACRXB1V01	WATER	55 L/min	14.5 GPM
ACRXB1V02	AIR	2100 L/min	72.5 SCFM
ACRXB1V03	ARGON	1800 L/min	65 SCFM
ACRXB1V04	OXYGEN	2000 L/min	70 SCFM
ACRXB1V05	CARBON DIOXIDE	1800 L/min	62.5 SCFM
ACRXB1V06	NITROGEN	2200 L/min	77.5 SCFM
ACRXB1V07	HELIUM	5000 L/min	170 SCFM

BULLETIN EM202003 ACR