

# EchoPro® LR41

Pulse Radar Solids Level Transmitter



## Application

The intrinsically safe 26 GHz. pulse radar transmitter provides continuous level measurement up to 229.7' (70m) with a 4-20 mA analog and HART digital signal output, and is configured via its integral push button display module or HART communicator. The non-contact solids level sensor is intended for dry solid media including aggregates, grains, pellets, powders and building materials. Select this sensor for **challenging process conditions with moderate to significant dust**, and installation with an adjustable gimbal flange or mounting bracket. Typical applications include silos, stockpiles, transfer stations and crushers.



## Features

- Rugged 316L stainless steel antenna and process mount
- Configuration via push button display or HART communicator
- Gimbal flange for easy positioning with the angle of repose
- Antenna air-purge for use with significant dust conditions
- LCD displays level in feet or meters with percent of span bar
- Optional display mode indicates the echo signal return curve
- Fail-safe diagnostics with selectable signal fail-safe outputs
- PTFE antenna cover for use with moderate dust conditions
- Recognition, storage and rejection of false echo signal returns
- IP67 stainless enclosure with polycarbonate display window

## Antenna Selection

The sensor is offered in a 4" (98mm) antenna with or without a dust shield. The larger the antenna, the narrower the beam and the stronger the RF signal return. To select the appropriate antenna size and configuration, consider two variables; The measured span distance and the amount of dust within the span. As for dust, when minimal, select the horn only. When moderate, select the horn with dust shield, and when significant, select the horn only and apply a periodic compressed air purge.



PTFE  
Dust  
Shield



LR41-5321-44-00  
Shown

LR97-S006  
Bracket



Push Button  
Display Module

# EchoPro® LR41

Pulse Radar Solids Level Transmitter



## Specifications

<b>Range:</b>	12" to 229.7' (30cm to 70m)
<b>Frequency:</b>	26 GHz.
<b>Accuracy:</b>	± 15mm
<b>Dead band:</b>	12" (30cm)
<b>Beam angle:</b>	-5_21-4: 8°
<b>Configuration:</b>	Push button, HART 7
<b>Memory:</b>	Non-volatile
<b>Display type:</b>	LCD, dot matrix
<b>Display units:</b>	Feet and meters
<b>Display bar:</b>	Percent of span
<b>Display graph:</b>	Echo signal curve
<b>Supply voltage:</b>	21.6 to 26.4 VDC
<b>Max. consumption:</b>	22.5 mA
<b>Signal output:</b>	4-20 mA, two-wire, HART 7
<b>Signal invert:</b>	4-20 mA, 20-4 mA
<b>Signal fail-safe:</b>	3.9 mA, 20.5 mA, 22 mA
<b>Process temp.:</b>	F: -40° to 752° C: -40° to 400°
<b>Temp. comp.:</b>	Automatic
<b>Storage temp.:</b>	F: -40° to 176° C: -40° to 80°
<b>Pressure:</b>	Atmospheric
<b>Enclosure rating:</b>	IP67
<b>Encl. material:</b>	316L stainless steel w/silicone gasket
<b>Encl. window mat.:</b>	Polycarbonate
<b>Conduit entrance:</b>	(1) 1/2" NPT connector
<b>Antenna material:</b>	-5_21-4_-00: 316L -5_21-A_-00: 316L & PTFE
<b>Air purge fitting:</b>	1/4" (6.3mm) I.D. tubing
<b>Process mount:</b>	-_0: 1 1/2" NPT -_4: 4" gimbal flange (ANSI)
<b>Classification:</b>	Intrinsically safe
<b>Approvals:</b>	ATEX  IIG Ex ia II C T6...T3 Ga IEC Ex ia IIC T6...T3 Ga CSA Class I, Div 1, Groups A, B, C & D; Class II, Div 1, Groups E, F & G; (T6...T3); Class I Zone 0 AEx ia IIC (T6...T3) Ga & Zone 20 AEx ia IIIC (T76°C to T146°C) Da; Ex ia IIC (T6...T3) Ga & Ex ia IIIC (T76°C to T146°C) Ga
<b>Certification:</b>	FCC
<b>Compliance:</b>	CE, RoHS

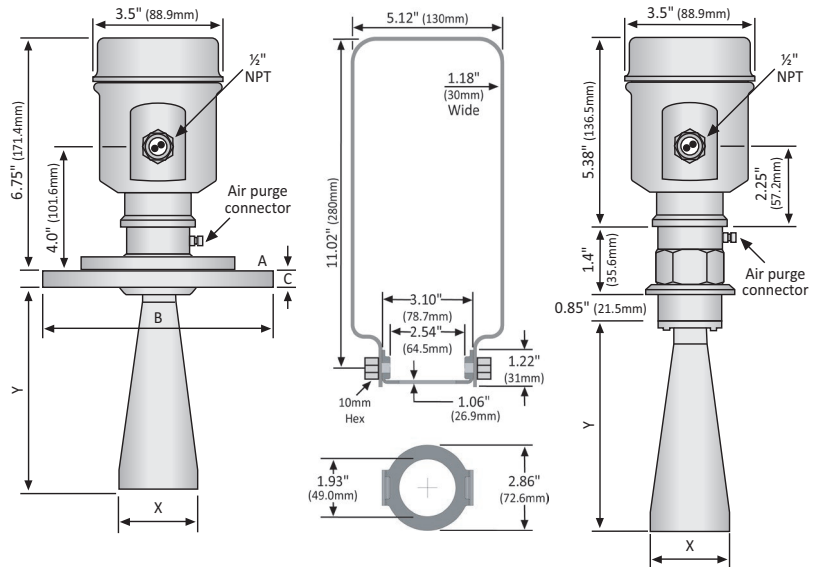
## Dimensions

### THREAD

<b>P/N</b>	<b>-40 &amp; -A0</b>
X	4" (98mm)
Y	11.34" (288mm)

### FLANGE

<b>P/N</b>	<b>-44 &amp; -A4</b>
A	4" ANSI
B	9.0" (228.6mm)
C	0.4" (10.2mm)
X	4" (98mm)
Y	11.34" (288mm)



## Ordering

LR41-5  21-   -00

### MOUNT TYPE (1)

- 0 NPT thread
- 3 ANSI flange

### ANTENNA SIZE (2)

- 4 4" (98mm) horn
- A 4" (98mm) horn with dust shield

### MOUNT SIZE (3)(4)

- 0 1 1/2" NPT
- 4 4" gimbal flange

## NOTES

- 1) If you want help in selecting a sensor for your application, please go to our website and submit a Level Questionnaire. An engineer will review your requirements and suggest a product solution via email.
- 2) An air purge connection can be used to prevent clogging of the antenna in applications with significant dust. The 4 antenna size (4"/98mm horn) includes the air purge. The A antenna size (4"/98mm horn with dust shield) does not include the air purge.
- 3) The 0 mount size is compatible with the 0 mount type. The 4 mount size are compatible with the 3 mount type.
- 4) For bracket mount installations, order the 0 mount type, 0 mount size and purchase a LR97-S006 mounting bracket.